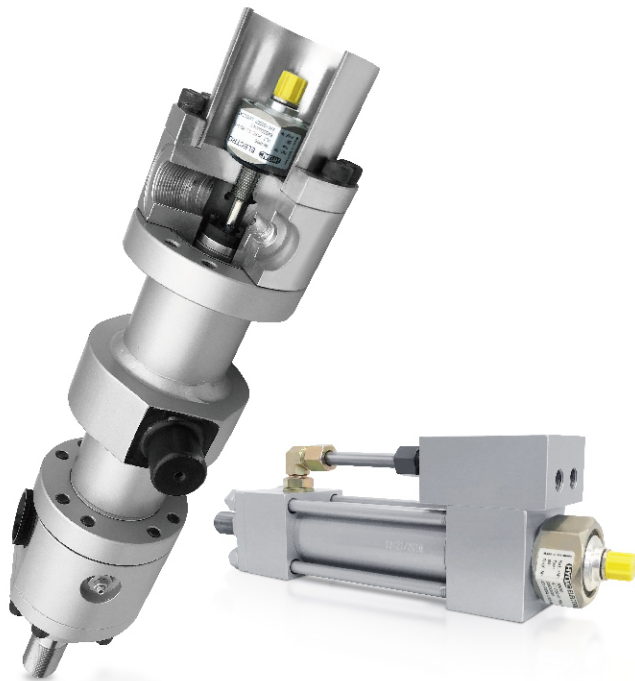


# ASHUN

## Heavy Duty Metric Mill Types |

- ◀ AH series ( ISO 6022 )
- ◀ AK series ( ISO 6020-1 )
- ◀ AT series ( ISO 6020-2 )



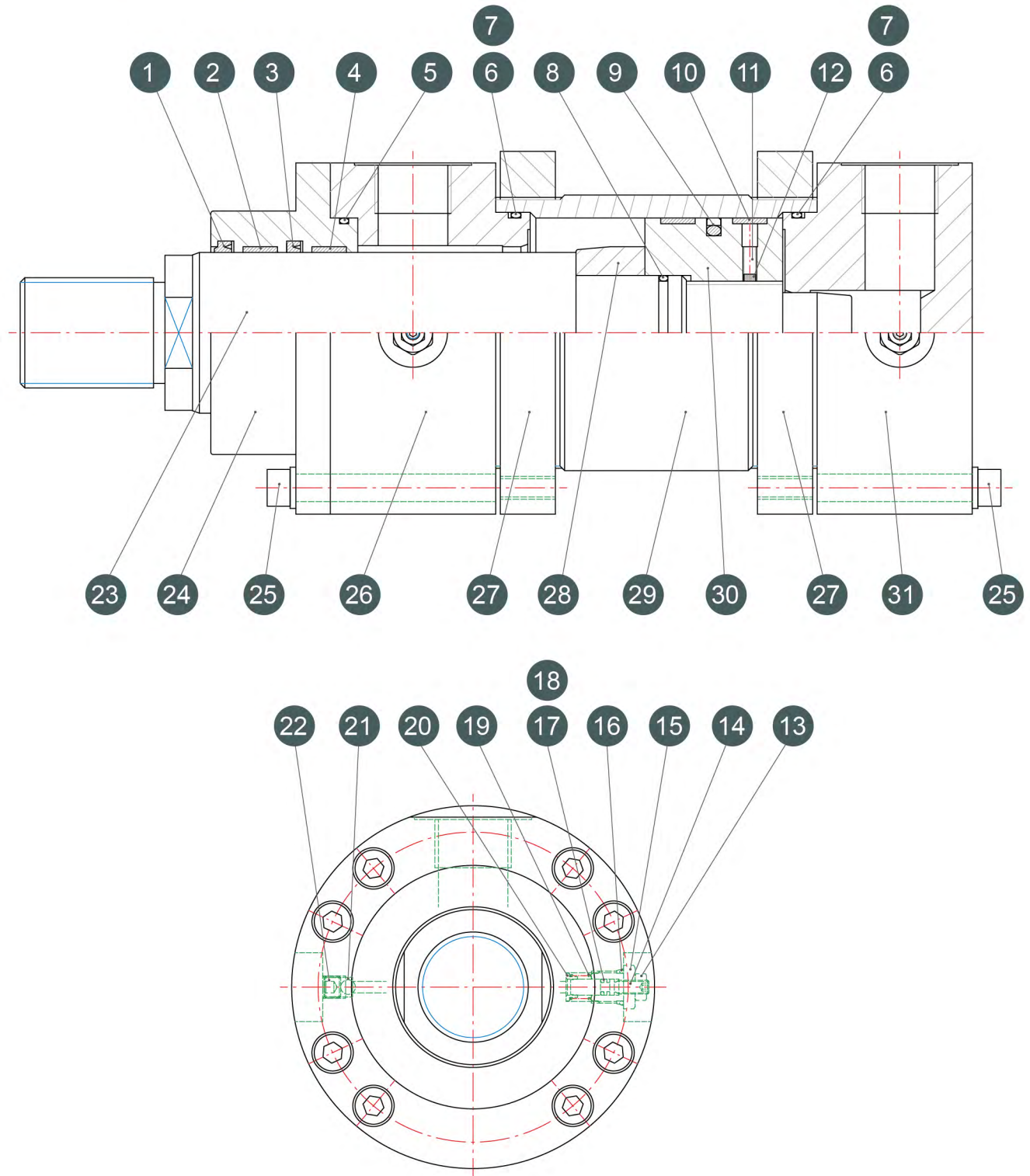
Jan. 2017

油順精密股份有限公司  
ASHUN FLUID POWER CO., LTD.

[www.ashun.com](http://www.ashun.com)

- **ISO 6020-1** 16MPa Standard Hydraulic Cylinders  
MF1 / MF2 / MF3 / MF4 / MP3 / MP5 / MS2 / MT4

### Parts List



## STANDARD CYLINDERS

NO	Description
1	Dust Wiper
2	Wearing Ring
3	Rod Seal
4	Wearing Ring
5	O Ring
6	O Ring
7	Backup Ring
8	O Ring
9	Piston Seal
10	Wearing Ring
11	Screw Stop Pin
12	Copper Bushing

NO	Description
13	Nut
14	Cushion Pin
15	Cushion Pin Cap
16	O Ring
17	O Ring
18	Backup Ring
19	Spring
20	Cushion Pin Sleeve
21	Ball Bearing
22	PT Stopper

NO	Description
23	Piston Rod
24	Front Cap
25	Hex Socket Screws
26	Front Cap
27	Flange
28	Cushion Sleeve
29	Cylinder Tube
30	Piston
31	End Cap

### ISO 6020-1 16MPa Standard Hydraulic Cylinders

MF1 / MF2 / MF3 / MF4 / MP3 / MP5 / MS2 / MT4

#### HOW TO ORDER

##### Model Code:

AK R - MP5 - 063 - B - A A - 036 - B - B B - D D - 0100 - K2 - K1 - ES2

##### SERIES

##### SENSORS

Magnet + Sensors Switch = **R**  
 Linear Position Transmitter = **S**  
 Proximity Sensors = **T**  
 ( No Symbol - No Device )

##### MOUNTING TYPES

Square Flange at Head = **MF1**  
 Square Flange at Base = **MF2**  
 Round Flange at Head = **MF3**  
 Round Flange at Base = **MF4**  
 Plain Clevis at Base = **MP3**  
 Self-aligning Clevis at Base = **MP5**  
 Foot Mounting = **MS2**  
 Trunnion = **MT4**

##### BORE

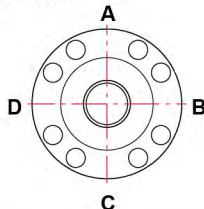
Piston Ø **25** to **320** mm

##### SEAL

Standard ( -20° C ~ +80° C ) = **B**  
 Viton ( -20° C ~ +150° C ) = **C**

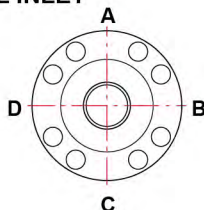
##### POSITION OF OIL INLET

Location at Head  
**A** = Standard



##### POSITION OF OIL INLET

Location at Base  
**A** = Standard



##### ROD

Piston Rod Ø **14** to **220** mm  
 ( S45C = Standard )

##### CUSHION DEVICE

Front and Rear = **B**  
 Front only = **X**  
 Rear only = **Y**  
 None = **N**

##### SENSORS SWITCH

Only Front Rear = **ES1** /  
 Front and Rear = **ES2** /  
 Position Not Fixed = **ES3** /  
 Position Not Fixed = **ES4** /  
 Position Not Fixed = **ES5** /  
 ( No Symbol "R" - No Accessory )

##### ROD ACCESSORY

Please Refer Page **16 ~ 18**  
 ( No Symbol - No Accessory )

##### BORE ACCESSORY

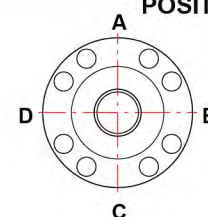
Please Refer Page **16 ~ 18**  
 ( No Symbol - No Accessory )

##### STROKE

Stroke Length in **mm**

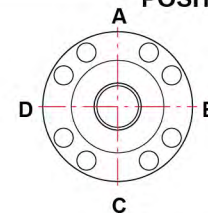
##### POSITION OF AIR VENT

Location at Base  
**D** = Standard



##### POSITION OF AIR VENT

Location at Head  
**D** = Standard



##### POSITION OF CUSHION

Location at Base  
 Please Refer Oil Inlet Configuration  
**B** = Standard

##### POSITION OF CUSHION

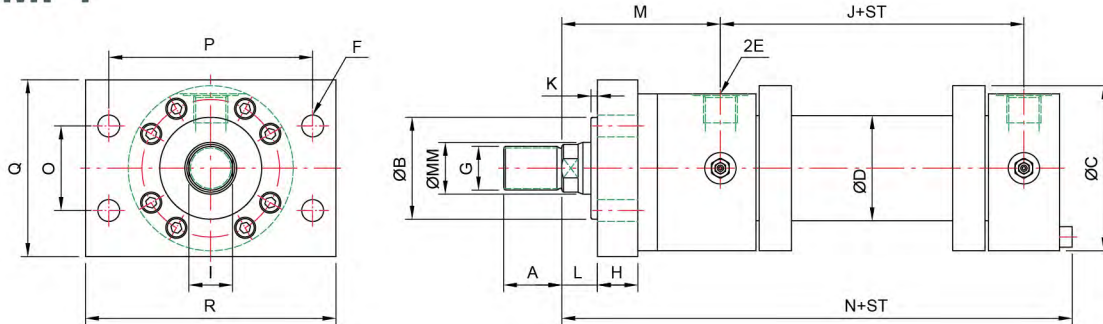
Location at Head  
 Please Refer Oil Inlet Configuration  
**B** = Standard

##### SPACERS

**0** mm . For stroke of 0 ~ 1000 mm  
**50** mm . For stroke of 1001 ~ 1500 mm  
**100** mm . For stroke of 1501 ~ 2000 mm  
**150** mm . For stroke of 2001 ~ 2500 mm  
**200** mm . For stroke of 2501 ~ 3000 mm

The Cylinder Length is increased

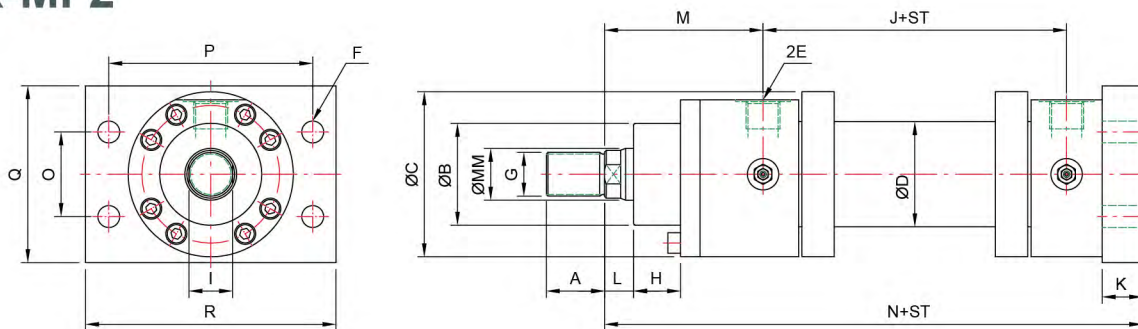
## AK-MF1



### DIMENSION

BORE	MM	A	B	C	D	E	F	G	H	I	J	K	L	M	N	O	P	Q	R
Ø25	14 / 18	16 / 18	32	56	35	1/4"G	4xØ6.5	M12xP1.25 / M14xP1.5	12	12 / 15	77	3	16	58	158	28.7	69.2	60	85
Ø32	18 / 22	18 / 22	40	67	42	3/8"G	4xØ9	M14xP1.5 / M16xP1.5	16	15 / 18	89	3	16	64	178	35.2	85	70	105
Ø40	22 / 28	22 / 28	50	78	55	1/2"G	4xØ9	M16xP1.5 / M20xP1.5	16	18 / 22	97	3	16	71	198	40.6	98	80	115
Ø50	28 / 36	28 / 36	60	95	65	1/2"G	4xØ11	M20xP1.5 / M27xP2.0	20	22 / 30	111	4	18	72	213	48.2	116.4	100	140
Ø63	36 / 45	36 / 45	70	116	76	3/4"G	4xØ13.5	M27xP2.0 / M33xP2.0	25	30 / 36	117	4	20	82	234	55.5	134	120	160
Ø80	45 / 56	45 / 56	85	130	100	3/4"G	4xØ17.5	M33xP2.0 / M42xP2.0	32	36 / 46	134	4	22	91	260	63.1	152.5	135	185
Ø100	56 / 70	56 / 63	106	158	120	1"G	4xØ22	M42xP2.0 / M48xP2.0	32	46 / 60	162	5	25	108	314	76.5	184.5	160	225
Ø125	70 / 90	63 / 85	132	192	152	1"G	4xØ22	M48xP2.0 / M64xP3.0	32	60 / 2xØ10	174	5	28	121	342	90.2	217.1	195	255

## AK-MF2



### DIMENSION

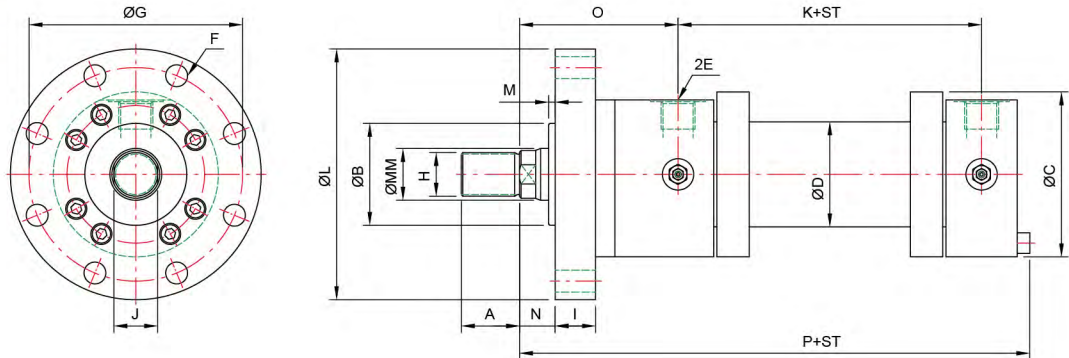
BORE	MM	A	B	C	D	E	F	G	H	I	J	K	L	M	N	O	P	Q	R
Ø25	14 / 18	16 / 18	32	56	35	1/4"G	4xØ6.5	M12xP1.25 / M14xP1.5	15	12 / 15	77	12	13	58	162	28.7	69.2	60	85
Ø32	18 / 22	18 / 22	40	67	42	3/8"G	4xØ9	M14xP1.5 / M16xP1.5	19	15 / 18	89	16	13	64	186	35.2	85	70	105
Ø40	22 / 28	22 / 28	50	78	55	1/2"G	4xØ9	M16xP1.5 / M20xP1.5	19	18 / 22	97	16	13	71	206	40.6	98	80	115
Ø50	28 / 36	28 / 36	60	95	65	1/2"G	4xØ11	M20xP1.5 / M27xP2.0	24	22 / 30	111	20	14	72	225	48.2	116.4	100	140
Ø63	36 / 45	36 / 45	70	116	76	3/4"G	4xØ13.5	M27xP2.0 / M33xP2.0	29	30 / 36	117	25	16	82	249	55.5	134	120	160
Ø80	45 / 56	45 / 56	85	130	100	3/4"G	4xØ17.5	M33xP2.0 / M42xP2.0	36	36 / 46	134	32	18	91	282	63.1	152.5	135	185
Ø100	56 / 70	56 / 63	106	158	120	1"G	4xØ22	M42xP2.0 / M48xP2.0	37	46 / 60	162	32	20	108	332	76.5	184.5	160	225
Ø125	70 / 90	63 / 85	132	192	152	1"G	4xØ22	M48xP2.0 / M64xP3.0	37	60 / 2xØ10	174	32	23	121	357	90.2	217.1	195	255

# Standard Cylinders

# 6020-1 AK

ISO 6020-1 16MPa Standard Hydraulic Cylinders

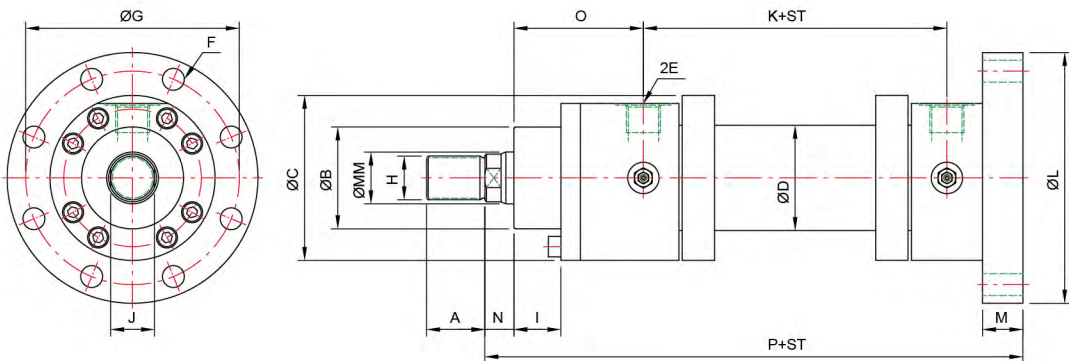
## AK-MF3



### DIMENSION

BORE	MM	A	B	C	D	E	F	G	H	I	J	K	L	M	N	O	P
Ø25	14 / 18	16 / 18	32	56	35	1/4"G	8xØ6.5	75	M12xP1.25 / M14xP1.5	12	12 / 15	77	90	3	16	58	158
Ø32	18 / 22	18 / 22	40	67	42	3/8"G	8xØ9	92	M14xP1.5 / M16xP1.5	16	15 / 18	89	110	3	16	64	178
Ø40	22 / 28	22 / 28	50	78	55	1/2"G	8xØ9	106	M16xP1.5 / M20xP1.5	16	18 / 22	97	125	3	16	71	198
Ø50	28 / 36	28 / 36	60	95	65	1/2"G	8xØ11	126	M20xP1.5 / M27xP2.0	20	22 / 30	111	148	4	18	72	213
Ø63	36 / 45	36 / 45	70	116	76	3/4"G	8xØ13.5	145	M27xP2.0 / M33xP2.0	25	30 / 36	117	170	4	20	82	234
Ø80	45 / 56	45 / 56	85	130	100	3/4"G	8xØ17.5	165	M33xP2.0 / M42xP2.0	32	36 / 46	134	195	4	22	91	260
Ø100	56 / 70	56 / 63	106	158	120	1"G	8xØ22	200	M42xP2.0 / M48xP2.0	32	46 / 60	162	238	5	25	108	314
Ø125	70 / 90	63 / 85	132	192	152	1"G	8xØ22	235	M48xP2.0 / M64xP3.0	32	60 / 2xØ10	174	272	5	28	121	342
Ø160	90 / 110	85 / 95	160	238	185	1 1/4"G	8xØ22	280	M64xP3.0 / M80xP3.0	36	2xØ10	191	316	5	30	143	390
Ø200	110 / 140	95 / 112	200	285	232	1 1/4"G	8xØ26	340	M80xP3.0 / M100xP3.0	40	2xØ10	224	385	5	35	190	474
Ø250	140 / 180	112 / 125	250	365	299	1 1/2"G	8xØ33	420	M100xP3.0 / M125xP4.0	56	2xØ10	290	490	8	40	205	580
Ø320	180 / 220	125 / 160	320	450	368	1 1/2"G	8xØ39	520	M125xP4.0 / M160xP4.0	63	2xØ10	358	600	8	45	250	696

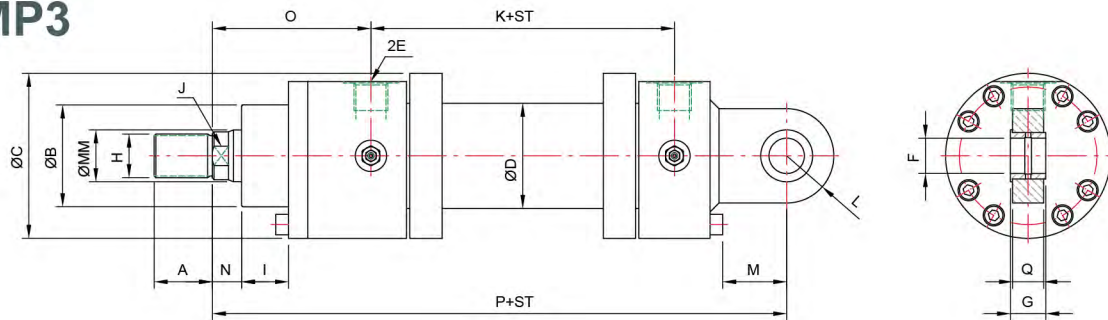
## AK-MF4



### DIMENSION

BORE	MM	A	B	C	D	E	F	G	H	I	J	K	L	M	N	O	P
Ø25	14 / 18	16 / 18	32	56	35	1/4"G	8xØ6.5	75	M12xP1.25 / M14xP1.5	15	12 / 15	77	90	12	13	58	162
Ø32	18 / 22	18 / 22	40	67	42	3/8"G	8xØ9	92	M14xP1.5 / M16xP1.5	19	15 / 18	89	110	16	13	64	186
Ø40	22 / 28	22 / 28	50	78	55	1/2"G	8xØ9	106	M16xP1.5 / M20xP1.5	19	18 / 22	97	125	16	13	71	206
Ø50	28 / 36	28 / 36	60	95	65	1/2"G	8xØ11	126	M20xP1.5 / M27xP2.0	24	22 / 30	111	148	20	14	72	225
Ø63	36 / 45	36 / 45	70	116	76	3/4"G	8xØ13.5	145	M27xP2.0 / M33xP2.0	29	30 / 36	117	170	25	16	82	249
Ø80	45 / 56	45 / 56	85	130	100	3/4"G	8xØ17.5	165	M33xP2.0 / M42xP2.0	36	36 / 46	134	195	32	18	91	282
Ø100	56 / 70	56 / 63	106	158	120	1"G	8xØ22	200	M42xP2.0 / M48xP2.0	37	46 / 60	162	238	32	20	108	332
Ø125	70 / 90	63 / 85	132	192	152	1"G	8xØ22	235	M48xP2.0 / M64xP3.0	37	60 / 2xØ10	174	272	32	23	121	357
Ø160	90 / 110	85 / 95	160	238	185	1 1/4"G	8xØ22	280	M64xP3.0 / M80xP3.0	41	2xØ10	191	316	36	25	143	406
Ø200	110 / 140	95 / 112	200	285	232	1 1/4"G	8xØ26	340	M80xP3.0 / M100xP3.0	45	2xØ10	224	385	40	30	190	490
Ø250	140 / 180	112 / 125	250	365	299	1 1/2"G	8xØ33	420	M100xP3.0 / M125xP4.0	64	2xØ10	290	490	56	32	205	606
Ø320	180 / 220	125 / 160	320	450	368	1 1/2"G	8xØ39	520	M125xP4.0 / M160xP4.0	71	2xØ10	358	600	63	37	250	723

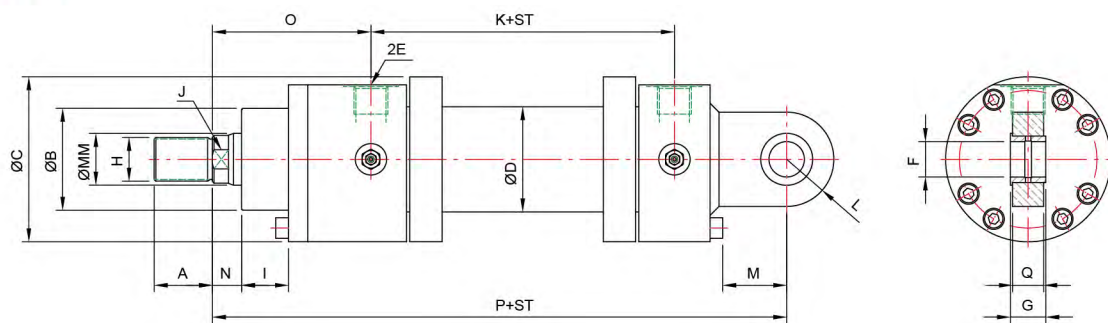
## AK-MP3



### DIMENSION

BORE	MM	A	B	C	D	E	F	G	H	I	J	K	L	M	N	O	P	Q
Ø25	14 / 18	16 / 18	32	56	35	1/4"G	Ø12	12	M12xP1.25 / M14xP1.5	15	12 / 15	77	16	20	13	58	178	12
Ø32	18 / 22	18 / 22	40	67	42	3/8"G	Ø16	16	M14xP1.5 / M16xP1.5	19	15 / 18	89	20	28	13	64	206	16
Ø40	22 / 28	22 / 28	50	78	55	1/2"G	Ø20	20	M16xP1.5 / M20xP1.5	19	18 / 22	97	25	33	13	71	231	20
Ø50	28 / 36	28 / 36	60	95	65	1/2"G	Ø25	25	M20xP1.5 / M27xP2.0	24	22 / 30	111	32	44	14	72	257	22
Ø63	36 / 45	36 / 45	70	116	76	3/4"G	Ø32	32	M27xP2.0 / M33xP2.0	29	30 / 36	117	40	55	16	82	289	27
Ø80	45 / 56	45 / 56	85	130	100	3/4"G	Ø40	40	M33xP2.0 / M42xP2.0	36	36 / 46	134	50	72	18	91	332	35
Ø100	56 / 70	56 / 63	106	158	120	1"G	Ø50	50	M42xP2.0 / M48xP2.0	37	46 / 60	162	63	81	20	108	395	40
Ø125	70 / 90	63 / 85	132	192	152	1"G	Ø63	63	M48xP2.0 / M64xP3.0	37	60 / 2xØ10	174	71	86	23	121	428	52
Ø160	90 / 110	85 / 95	160	238	185	1 1/4"G	Ø80	80	M64xP3.0 / M80xP3.0	41	2xØ10	191	90	115	25	143	505	66
Ø200	110 / 140	95 / 112	200	285	232	1 1/4"G	Ø100	100	M80xP3.0 / M100xP3.0	45	2xØ10	224	112	141	30	190	615	84
Ø250	140 / 180	112 / 125	250	365	299	1 1/2"G	Ø125	125	M100xP3.0 / M125xP4.0	64	2xØ10	290	160	193	32	205	773	102
Ø320	180 / 220	125 / 160	320	450	368	1 1/2"G	Ø160	160	M125xP4.0 / M160xP4.0	71	2xØ10	358	200	234	37	250	930	130

## AK-MP5



### DIMENSION

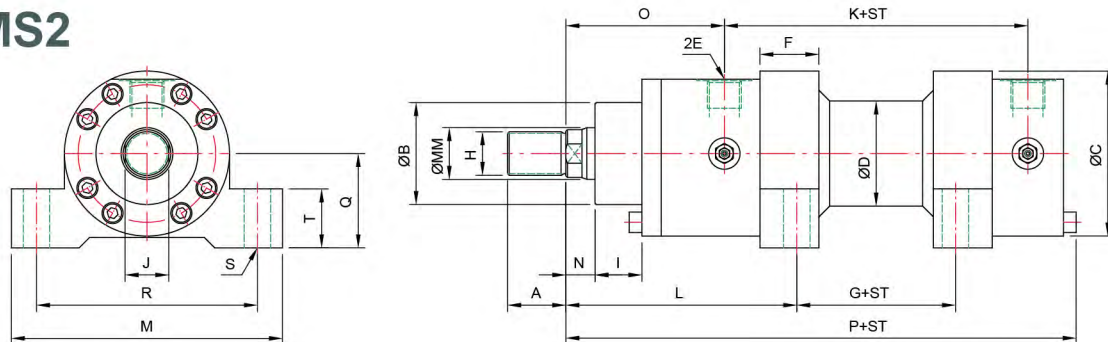
BORE	MM	A	B	C	D	E	F	G	H	I	J	K	L	M	N	O	P	Q
Ø25	14 / 18	16 / 18	32	56	35	1/4"G	Ø12	12	M12xP1.25 / M14xP1.5	15	12 / 15	77	16	20	13	58	178	10.6
Ø32	18 / 22	18 / 22	40	67	42	3/8"G	Ø16	16	M14xP1.5 / M16xP1.5	19	15 / 18	89	20	28	13	64	206	14
Ø40	22 / 28	22 / 28	50	78	55	1/2"G	Ø20	20	M16xP1.5 / M20xP1.5	19	18 / 22	97	25	33	13	71	231	18
Ø50	28 / 36	28 / 36	60	95	65	1/2"G	Ø25	25	M20xP1.5 / M27xP2.0	24	22 / 30	111	32	44	14	72	257	22
Ø63	36 / 45	36 / 45	70	116	76	3/4"G	Ø32	32	M27xP2.0 / M33xP2.0	29	30 / 36	117	40	55	16	82	289	27
Ø80	45 / 56	45 / 56	85	130	100	3/4"G	Ø40	40	M33xP2.0 / M42xP2.0	36	36 / 46	134	50	72	18	91	332	35
Ø100	56 / 70	56 / 63	106	158	120	1"G	Ø50	50	M42xP2.0 / M48xP2.0	37	46 / 60	162	63	81	20	108	395	40
Ø125	70 / 90	63 / 85	132	192	152	1"G	Ø63	63	M48xP2.0 / M64xP3.0	37	60 / 2xØ10	174	71	86	23	121	428	52
Ø160	90 / 110	85 / 95	160	238	185	1 1/4"G	Ø80	80	M64xP3.0 / M80xP3.0	41	2xØ10	191	90	115	25	143	505	66
Ø200	110 / 140	95 / 112	200	285	232	1 1/4"G	Ø100	100	M80xP3.0 / M100xP3.0	45	2xØ10	224	112	141	30	190	615	84
Ø250	140 / 180	112 / 125	250	365	299	1 1/2"G	Ø125	125	M100xP3.0 / M125xP4.0	64	2xØ10	290	160	193	32	205	773	102
Ø320	180 / 220	125 / 160	320	450	368	1 1/2"G	Ø160	160	M125xP4.0 / M160xP4.0	71	2xØ10	358	200	234	37	250	930	130

# Standard Cylinders

# 6020-1 AK

ISO 6020-1 16MPa Standard Hydraulic Cylinders

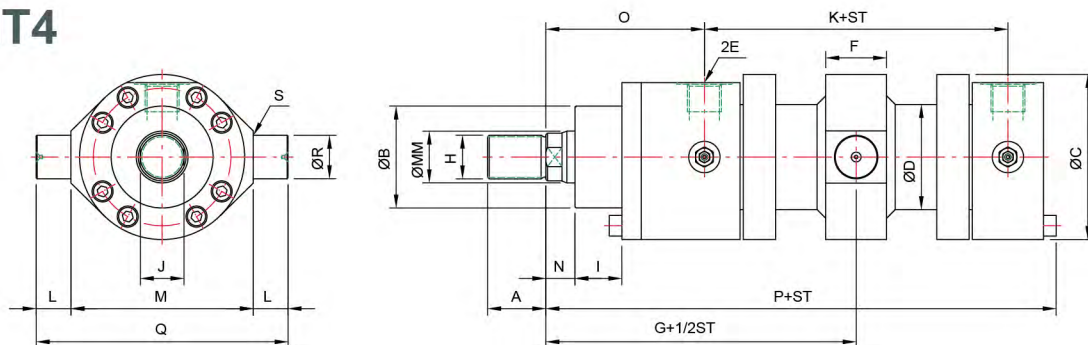
## AK-MS2



### DIMENSION

BORE	MM	A	B	C	D	E	F	G	H	I	J	K	L	M	N	O	P	Q	R	S	T
Ø25	14 / 18	16 / 18	32	56	35	1/4"G	20	12	M12xP1.25 / M14xP1.5	15	12 / 15	77	87	92	13	58	158	32	75	Ø9	20
Ø32	18 / 22	18 / 22	40	67	42	3/8"G	25	16	M14xP1.5 / M16xP1.5	19	15 / 18	89	97.5	110	13	64	178	38	90	Ø11	20
Ø40	22 / 28	22 / 28	50	78	55	1/2"G	25	20	M16xP1.5 / M20xP1.5	19	18 / 22	97	106	130	13	71	198	48	110	Ø11	20
Ø50	28 / 36	28 / 36	60	95	65	1/2"G	32	25	M20xP1.5 / M27xP2.0	24	22 / 30	111	114	145	14	72	213	52	120	Ø14	25
Ø63	36 / 45	36 / 45	70	116	76	3/4"G	32	32	M27xP2.0 / M33xP2.0	29	30 / 36	117	124	180	16	82	234	62	145	Ø18	25
Ø80	45 / 56	45 / 56	85	130	100	3/4"G	40	40	M33xP2.0 / M42xP2.0	36	36 / 46	134	137	210	18	91	260	70	170	Ø22	30
Ø100	56 / 70	56 / 63	106	158	120	1"G	50	50	M42xP2.0 / M48xP2.0	37	46 / 60	162	164.5	245	20	108	314	82	200	Ø26	35
Ø125	70 / 90	63 / 85	132	192	152	1"G	56	63	M48xP2.0 / M64xP3.0	37	60 / 2xØ10	174	180.5	300	23	121	342	100	245	Ø33	35
Ø160	90 / 110	85 / 95	160	238	185	1 1/4"G	56	80	M64xP3.0 / M80xP3.0	41	2xØ10	191	206	400	25	143	390	142	320	Ø33	45
Ø200	110 / 140	95 / 112	200	285	232	1 1/4"G	60	100	M80xP3.0 / M100xP3.0	45	2xØ10	224	267	500	30	190	474	170	400	Ø36	50
Ø250	140 / 180	112 / 125	250	365	299	1 1/2"G	70	125	M100xP3.0 / M125xP4.0	64	2xØ10	290	287.5	570	32	205	580	195	480	Ø45	60
Ø320	180 / 220	125 / 160	320	450	368	1 1/2"G	80	160	M125xP4.0 / M160xP4.0	71	2xØ10	358	351	680	37	250	696	245	580	Ø52	70

## AK-MT4



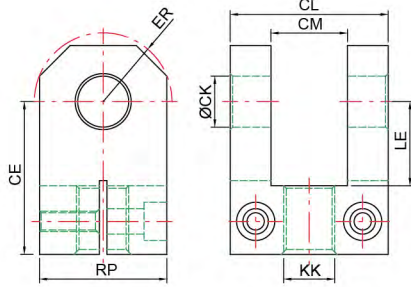
### DIMENSION

BORE	MM	A	B	C	D	E	F	G	H	I	J	K	L	M	N	O	P	Q	R	S
Ø25	14 / 18	16 / 18	32	56	35	1/4"G	20	96.5	M12xP1.25 / M14xP1.5	15	12 / 15	77	10	63	13	58	158	83	12	1
Ø32	18 / 22	18 / 22	40	67	42	3/8"G	25	108.5	M14xP1.5 / M16xP1.5	19	15 / 18	89	12	75	13	64	178	99	16	1
Ø40	22 / 28	22 / 28	50	78	55	1/2"G	30	119.5	M16xP1.5 / M20xP1.5	19	18 / 22	97	16	90	13	71	198	122	20	1
Ø50	28 / 36	28 / 36	60	95	65	1/2"G	35	127.5	M20xP1.5 / M27xP2.0	24	22 / 30	111	20	105	14	72	213	145	25	1
Ø63	36 / 45	36 / 45	70	116	76	3/4"G	45	140.5	M27xP2.0 / M33xP2.0	29	30 / 36	117	25	120	16	82	234	170	32	2
Ø80	45 / 56	45 / 56	85	130	100	3/4"G	50	158	M33xP2.0 / M42xP2.0	36	36 / 46	134	32	135	18	91	260	199	40	2.5
Ø100	56 / 70	56 / 63	106	158	120	1"G	60	189	M42xP2.0 / M48xP2.0	37	46 / 60	162	40	160	20	108	314	240	50	2.5
Ø125	70 / 90	63 / 85	132	192	152	1"G	75	208	M48xP2.0 / M64xP3.0	37	60 / 2xØ10	174	50	195	23	121	342	295	63	3
Ø160	90 / 110	85 / 95	160	238	185	1 1/4"G	90	238.5	M64xP3.0 / M80xP3.0	41	2xØ10	191	63	240	25	143	390	366	80	3
Ø200	110 / 140	95 / 112	200	285	232	1 1/4"G	110	302	M80xP3.0 / M100xP3.0	45	2xØ10	224	80	295	30	190	474	455	100	3.5
Ø250	140 / 180	112 / 125	250	365	299	1 1/2"G	135	350	M100xP3.0 / M125xP4.0	64	2xØ10	290	100	370	32	205	580	570	125	3.5
Ø320	180 / 220	125 / 160	320	450	368	1 1/2"G	175	429	M125xP4.0 / M160xP4.0	71	2xØ10	358	125	470	37	250	696	720	160	3.5



## K-1

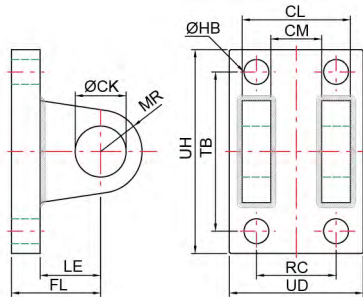
### DIMENSION



REFERENCE	KK	CE	CK	CL	CM	ER	LE	RP
K-1-12	M12x1.25	38	12	28	12	16	18	25
K-1-16	M14x1.5	44	16	36	16	20	22	30
K-1-20	M16x1.5	52	20	45	20	25	27	40
K-1-25	M20x1.5	65	25	56	25	32	34	50
K-1-32	M27x2	80	32	70	32	40	41	65
K-1-40	M33x2	97	40	90	40	50	51	80
K-1-50	M42x2	120	50	110	50	63	63	100
K-1-63	M48x2	140	63	140	63	71	75	140
K-1-70	M56x2	160	70	150	70	80	84	140
K-1-80	M64x3	180	80	170	80	90	94	180
K-1-90	M72x3	195	90	190	90	100	109	200
K-1-100	M80x3	210	100	210	100	110	114	220

## K-2

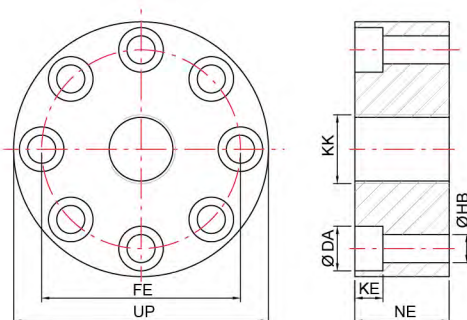
### DIMENSION



REFERENCE	CK	CL	CM	FL	HB	LE	MR	RC	TB	UD	UH
K-2-12	12	28	12	34	9	22	12	20	50	40	70
K-2-16	16	36	16	40	11	27	16	26	65	50	90
K-2-20	20	45	20	45	11	30	20	32	75	58	98
K-2-25	25	56	25	55	13.5	37	25	40	85	70	113
K-2-32	32	70	32	65	17.5	43	32	50	110	85	143
K-2-40	40	90	40	76	22	52	40	65	130	108	170
K-2-50	50	110	50	95	26	65	50	80	170	130	220
K-2-63	63	140	63	112	33	75	63	100	210	160	270
K-2-70	70	150	70	130	33	90	70	110	230	175	300
K-2-80	80	170	80	140	39	95	80	125	250	210	320
K-2-90	90	190	90	160	45	108	90	140	290	230	370
K-2-100	100	210	100	180	45	120	100	160	315	260	400
K-2-110	110	240	110	200	52	138	110	180	350	290	445
K-2-125	125	270	125	230	52	170	125	200	385	320	470

## K-3

### DIMENSION



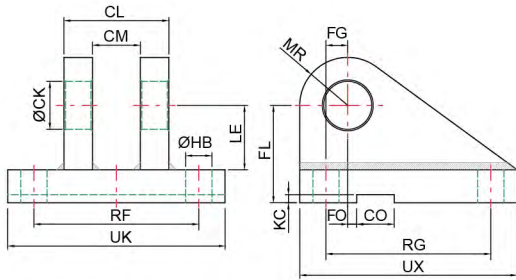
REFERENCE	KK	DA	FE	HB	KE	NE	UP
K-3-12	M12x1.25	11	40	4xØ6.5	6.8	17	56
K-3-16	M14x1.5	14.5	45	4xØ9	9	19	63
K-3-20	M16x1.5	14.5	54	6xØ9	9	23	72
K-3-25	M20x1.5	14.5	63	6xØ9	9	29	82
K-3-32	M27x2	17.5	78	6xØ11	11	37	100
K-3-40	M33x2	20	95	8xØ13.5	13	46	120
K-3-50	M42x2	26	120	8xØ17.5	17.5	57	150
K-3-63	M48x2	33	150	8xØ22	21.5	64	190
K-3-70	M56x2	36	165	8xØ24	23.5	77	212
K-3-80	M64x3	39	180	8xØ26	25.5	86	230
K-3-90	M72x3	43	195	8xØ29	28.5	89	250
K-3-100	M80x3	43	210	8xØ29	28.5	96	270

# Standard Cylinders 6020-1 AK

ISO 6020-1 16MPa Standard Hydraulic Cylinders

## K-4

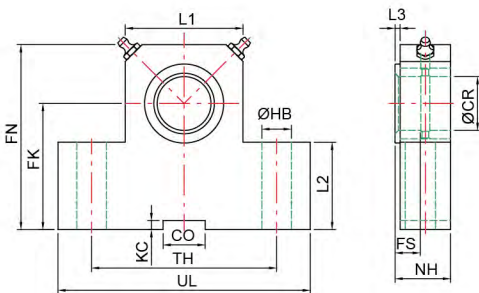
DIMENSION



REFERENCE	CK	CL	CM	CO	FG	FL	FO	HB	KC	LE	MR	RF	RG	UK	UX
K-4-12	12	28	12	10	2	34	10	9	3.3	22	12	52	45	72	65
K-4-16	16	36	16	16	3.5	40	10	11	4.3	27	16	65	55	90	80
K-4-20	20	45	20	16	7.5	45	10	11	4.3	30	20	75	70	100	95
K-4-25	25	56	25	25	10	55	10	13.5	5.4	37	25	90	85	120	115
K-4-32	32	70	32	25	14.5	65	6	17.5	5.4	43	32	110	110	145	145
K-4-40	40	90	40	36	17.5	76	6	22	8.4	52	40	140	125	185	170
K-4-50	50	110	50	36	25	95	-	26	8.4	65	50	165	150	215	200
K-4-63	63	140	63	50	33	112	-	33	11.4	75	63	210	170	270	230
K-4-70	70	150	70	50	40	130	-	33	11.4	90	70	230	190	290	250
K-4-80	80	170	80	50	45	140	-	39	11.4	95	80	250	210	320	280
K-4-90	90	190	90	63	47.5	160	-	45	12.4	108	90	280	235	360	320
K-4-100	100	210	100	63	52.5	180	-	52	12.4	120	100	315	250	405	345
K-4-110	110	240	110	80	62.5	200	-	52	15.4	138	110	335	305	425	400
K-4-125	125	270	125	80	75	230	-	52	15.4	170	125	365	350	455	450

## K-5

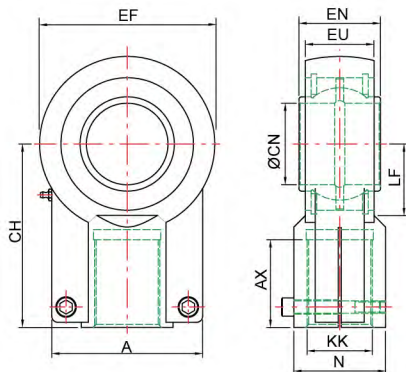
DIMENSION



REFERENCE	CR	CO	FK	FN	FS	HB	KC	L1	L2	L3	NH	TH	UL
K-5-12	12	10	34	50	8	9	3.3	25	25	1	17	40	63
K-5-16	16	16	40	60	10	11	4.3	30	30	1.5	21	50	80
K-5-20	20	16	45	70	10	11	4.3	40	38	1.5	21	60	90
K-5-25	25	25	55	80	12	13.5	5.4	56	45	1.5	26	80	110
K-5-32	32	25	65	100	15	17.5	5.4	70	52	2	33	110	150
K-5-40	40	36	76	120	16	22	8.4	88	60	2.5	41	125	170
K-5-50	50	36	95	140	20	26	8.4	100	75	2.5	51	160	210
K-5-63	63	50	112	180	25	33	11.4	130	85	3	61	200	265
K-5-80	80	50	140	220	31	39	11.4	160	112	3	81	250	325
K-5-90	90	63	160	250	40	45	12.4	180	130	4	91	265	345
K-5-100	100	63	180	280	45	52	12.4	205	145	5	102	295	385
K-5-110	110	80	200	310	50	52	15.4	230	165	5	112	320	410
K-5-125	125	80	220	345	56	55	15.4	280	200	6	132	385	490

## K-6

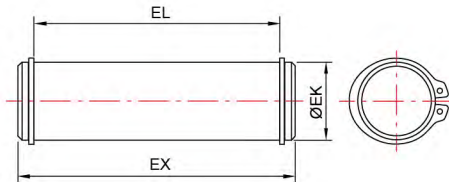
DIMENSION



REFERENCE	KK	A	AX	CH	CN	EF	EN	EU	LF	N
K-6-12	M12x1.25	32	17	38	12	32	12	10.5	14	16
K-6-16	M14x1.5	40	19	44	16	40	16	13	18	21
K-6-20	M16x1.5	47	23	52	20	47	20	17	22	25
K-6-25	M20x1.5	54	29	65	25	58	25	21	27	30
K-6-32	M27x2	66	37	80	32	70	32	27	32	38
K-6-40	M33x2	80	46	97	40	89	40	32	41	47
K-6-50	M42x2	96	57	120	50	108	50	40	50	58
K-6-63	M48x2	114	64	140	63	132	63	52	62	70
K-6-80	M64x3	148	86	180	80	168	80	66	78	90
K-6-100	M80x3	178	96	210	100	210	100	84	98	110
K-6-125	M100x3	200	113	260	125	262	125	102	120	135
K-6-160	M125x4	250	126	310	160	326	160	130	150	165
K-6-200	M160x4	320	161	390	200	418	200	162	195	215

## K-7

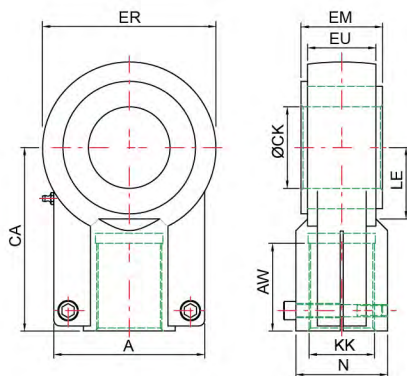
### DIMENSION



REFERENCE	EK	EL	EX
K-7-12	12	29	37
K-7-16	16	37	45
K-7-20	20	46	54
K-7-25	25	57	65
K-7-32	32	72	80
K-7-40	40	92	105
K-7-50	50	112	130
K-7-63	63	142	160
K-7-70	70	152	170
K-7-80	80	172	190

## K-8

### DIMENSION



REFERENCE	KK	A	AW	CA	CK	EM	ER	EU	LE	N
K-8-12	M12x1.25	32	17	38	12	12	32	10.5	14	16
K-8-16	M14x1.5	40	19	44	16	16	40	13	18	21
K-8-20	M16x1.5	47	23	52	20	20	47	17	22	25
K-8-25	M20x1.5	54	29	65	25	25	58	21	27	30
K-8-32	M27x2	66	37	80	32	32	70	27	32	38
K-8-40	M33x2	80	46	97	40	40	89	32	41	47
K-8-50	M42x2	96	57	120	50	50	108	40	50	58
K-8-63	M48x2	114	64	140	63	63	132	52	62	70
K-8-80	M64x3	148	86	180	80	80	168	66	78	90
K-8-100	M80x3	178	96	210	100	100	210	84	98	110
K-8-125	M100x3	200	113	260	125	125	262	102	120	135
K-8-160	M125x4	250	126	310	160	160	326	130	150	165
K-8-200	M160x4	320	161	390	200	200	418	162	195	215

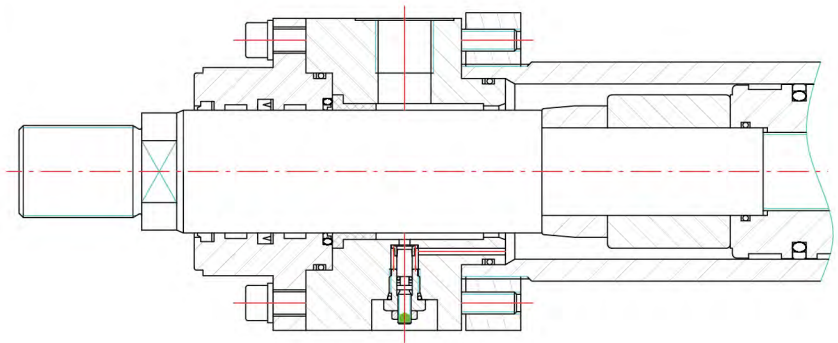
# Stop Tube

When compression loads are involved, it's also necessary to consider bearing pressures on rod cartridge and piston and if we want to keep these values within proper limits, it could be necessary to increase bearing length; this is achieved by means of a stop tube between piston and rod cartridge.

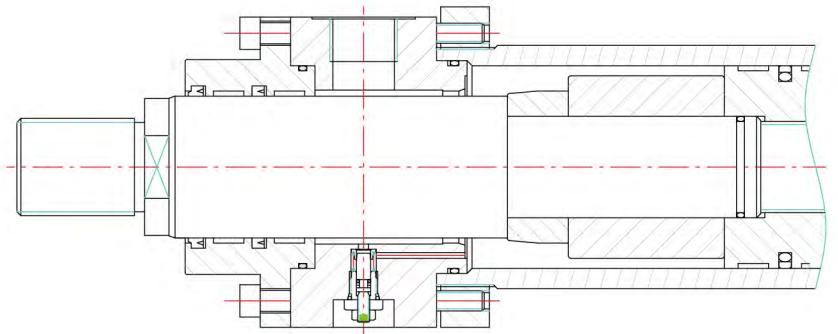
The next table shows different stop tube lengths according to cylinder strokes but sometimes other designs can be supplied according to application requirements; in these cases, please consult factory.

STROKE	STOP TUBE
0 - 1000 mm	0 mm
1001 - 1500 mm	50 mm
1501 - 2000 mm	100 mm
2001 - 2500 mm	150 mm
2501 - 3000 mm	200 mm

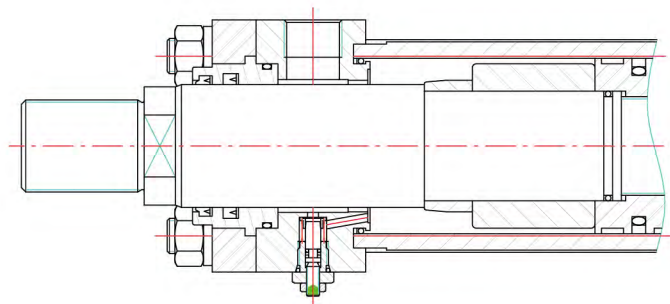
## AH Series ( ISO 6022 )



## AK Series ( ISO 6020-1 )



## AT Series ( ISO 6020-2 )



# ASHUN

## ASHUN FLUID POWER CO., LTD.

No. 18, Jingke S. Rd., Nantun Dist., Taichung City 40852, Taiwan

TEL: +886-4-23505599

FAX: +886-4-23505511

E-mail: [info@ashun.com](mailto:info@ashun.com)



[www.ashun.com](http://www.ashun.com)